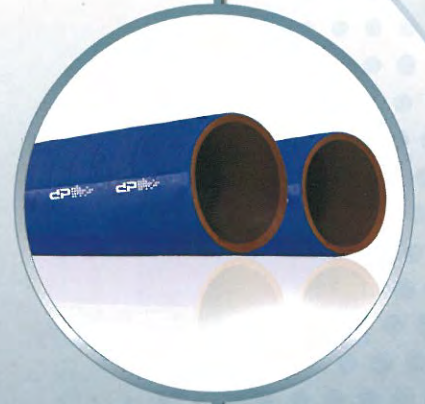


DYNAFLEX PRODUCTS

Diesel Exhaust Technologies

'Forming a better connection'



HEAVY-DUTY INDUSTRIAL HOSE PRODUCTS

VERSION 1
2009
INDH08VI

TABLE OF CONTENTS

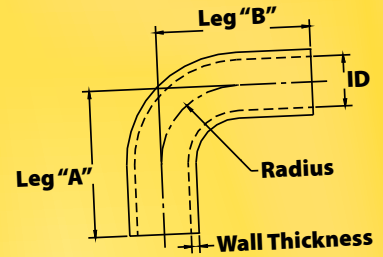
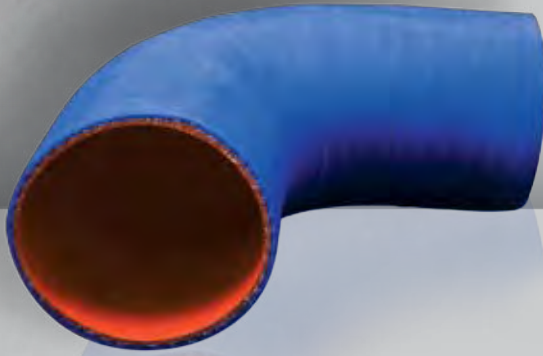
Pg.2	5 PLY High Performance Silicone 90° elbows
Pg.3	5 PLY High Performance Silicone 45° elbows
Pg.4	5PLY High Performance Silicone 90° elbows
Pg.5	5 PLY High Performance Silicone 45° elbows
Pg.6	4 PLY High Nomex (Aramid) Hot Side 500° (CAC) Charge Air Cooler Hose
Pg.7	4 PLY High Polyester Cold Side 350° (CAC) Charge Air Cooler Hose
Pg.8-9	3PLY High Performance Silicone Coolant Hose 3' foot lengths
Pg.10-11	4PLY High Performance Silicone Coolant Hose 3' foot lengths
Pg.12	3PLY Fiberglass High Performance Silicone
Pg.13	4PLY Nomex (Aramid) High Performance Silicone Turbo Hose
Pg.14	4PLY High Performance Silicone Cold Side Hump Hose
Pg.15	4PLY Nomex (Aramid) High Performance Silicone Hump Hose
Pg.16-17	4PLY High Performance Silicone Reducers
Pg.18-19	4PLY Nomex (Aramid) High Performance Silicone Hot Side Reducers.
Pg.20	Heavy Duty High Performance Silicone .170/.200" Wall-Heater Hose
Pg.21	High Performance Silicone .140/.200" Wall-Heater Hose
Pg.22	High Performance Silicone Vacuum Hose 25' Lengths Available
Pg.23-24	Constant - Torque Heavy Duty Clamps.
Pg.25-26	Light Duty Spring- Loaded T-Bolt Band Clamps
Pg.27-28	Heavy Duty Spring- Loaded T-Bolt Band Clamps
Pg.29	Rubber Air Inlet 90° Elbows
Pg.30	Special Elbows
Pg.31	Rubber Air Inlet 45° Elbows
Pg.32	Reducing 90° Elbows
Pg.33	Hump Hose Reducers.
Pg.34	Rubber Air Inlet Hump Hose
Pg.35	Reducer Inserts Sleeve
Pg.36	Air Inlet Clamps Stainless Steel
Pg.37	Support Clamps Stainless Steel



6466 Gayhart St.
City of Commerce,
CA 90040, U.S.A.

© Dynaflex Products 2008.

* Some Parts will Require a 6 week lead time, Please Call for avail ability.

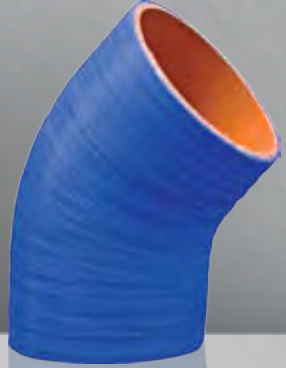
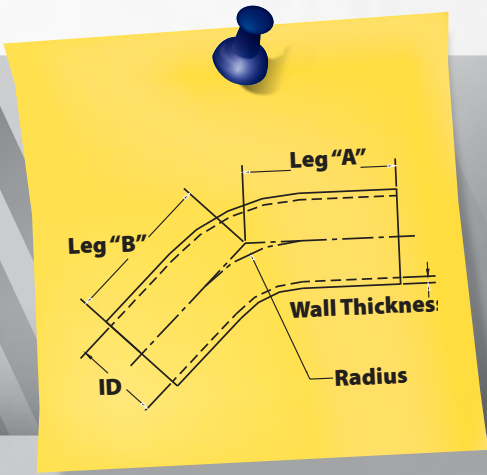


5 PLY High Performance Silicone 90° Elbows

Part Number	Inside Diameter ID (In)	Leg 1.00 A (In)	Leg 2.00 B (In)	Inside Radius R (In)	Wall Thickness T (In)
200-04-3040	0.50	6.00	6.00	0.75"	.200"
200-05-3040	0.63	6.00	6.00	1.00"	.200"
200-06-3040	0.75	6.00	6.00	1.00"	.200"
200-07-3040	0.87	6.00	6.00	1.00"	.200"
200-08-3040	1.00	6.00	6.00	1.50"	.200"
200-11-3040	1.25	6.00	6.00	2.00"	.200"
200-14-3040	1.50	6.00	6.00	2.50"	.200"
200-16-3040	1.75	6.00	6.00	2.25"	.200"
200-17-3040	1.87	6.00	6.00	2.00"	.200"
200-18-3040	2.00	6.00	6.00	2.00"	.200"
200-20-3040	2.25	6.00	6.00	2.25"	.200"
200-23-3040	2.50	6.00	6.00	2.50"	.200"
200-25-3040	2.75	6.00	6.00	2.75"	.200"
200-27-3040	3.00	6.00	6.00	3.00"	.200"
200-32-3040	3.50	6.00	6.00	3.50"	.200"
200-36-3090	4.00	9.00	9.00	4.00"	.200"
200-36-3040	4.00	6.00	6.00	4.00"	.200"

5 PLY HIGH PERFORMANCE SILICONE 90° ELBOWS

- 5 Ply Silicone Hose, Polyester Reinforced Construction to Provide Flexibility and Strength.
- Recommended for temperatures: **-65° to 350°F (-53.9°C to 176.6°C)**
- Custom ply construction available to meet custom application.
- Ozone and UV Resistant.
- Meets physical characteristics of SAE J20 R1
- SAE J20 R1 H.T.. Class A, TMC RP303B Grade I and Grade II, Mil Spec A-A-52426 and various Heavy OEM Requirements.
- Available in Blue, in Glossy Finish - Must Order in 5 unit multiples

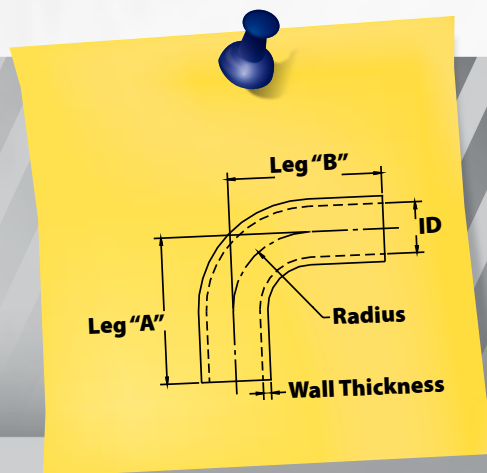


5 PLY High Performance Silicone 45° Elbows

Part Number	Inside Diameter ID (In)	Leg 1.00 A (In)	Leg 2.00 B (In)	Inside Radius R (In)	Wall Thickness T (In)
201-04-3040	0.50	6.00	6.00	0.75"	.200"
201-05-3040	0.63	6.00	6.00	1.00"	.200"
201-06-3040	0.75	6.00	6.00	1.00"	.200"
201-08-3040	1.00	6.00	6.00	1.00"	.200"
201-11-3040	1.25	6.00	6.00	2.00"	.200"
201-13-3040	1.38	6.00	6.00	1.50"	.200"
201-14-3040	1.50	6.00	6.00	2.50"	.200"
201-16-3040	1.75	6.00	6.00	3.00"	.200"
201-18-3040	2.00	6.00	6.00	3.00"	.200"
201-20-3040	2.25	6.00	6.00	4.00"	.200"
201-22-3040	2.38	6.00	6.00	3.00"	.200"
201-23-3040	2.50	6.00	6.00	4.00"	.200"
201-25-3040	2.75	6.00	6.00	2.75"	.200"
201-27-3040	3.00	6.00	6.00	4.00"	.200"
201-32-3040	3.50	6.00	6.00	3.50"	.200"
201-36-3090	4.00	9.00	9.00	4.00"	.200"
201-36-3040	4.00	6.00	6.00	4.00"	.200"
201-38-3090	4.50	9.00	9.00	4.50"	.200"

5 PLY HIGH PERFORMANCE SILICONE 45° ELBOWS

- 5 Ply Silicone Hose, Polyester Reinforced Construction to Provide Flexibility and Strength.
- Recommended for temperatures: **-65° to 350°F (-53.9°C to 176.6°C)**
- Custom ply construction available to meet custom application.
- Ozone and UV Resistant.
- Meets physical characteristics of SAE J20 R1
- SAE J20 R1 H.T. Class A, TMC RP303B Grade I and Grade II, Mil Spec A-A-52426 and various Heavy OEM Requirements.
- Available in Blue, in Glossy Finish - Must Order in 5 unit multiples

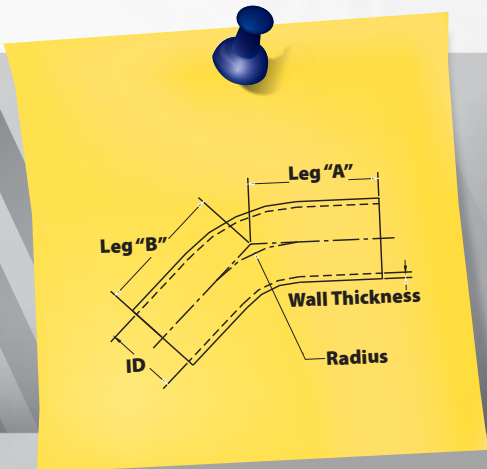


5 PLY High Performance Silicone 90° Elbows

Part Number	Inside Diameter ID (In)	Leg 1.00 A (In)	Leg 2.00 B (In)	Inside Radius R (In)	Wall Thickness T (In)
215-04-3040	0.50"	6.00"	6.00"	.75"	.200"
215-05-3040	0.63"	6.00"	6.00"	1.00"	.200"
215-06-3040	.075"	6.00"	6.00"	1.00"	.200"
215-07-3040	0.87"	6.00"	6.00"	1.00"	.200"
215-08-3040	1.00"	6.00"	6.00"	1.50"	.200"
215-11-3040	1.25"	6.00"	6.00"	2.00"	.200"
215-14-3040	1.50"	6.00"	6.00"	2.50"	.200"
215-16-3040	1.75"	6.00"	6.00"	2.25"	.200"
215-17-3040	1.87"	6.00"	6.00"	2.00"	.200"
215-18-3040	2.00"	6.00"	6.00"	2.00"	.200"
215-20-3040	2.25"	6.00"	6.00"	2.25"	.200"
215-23-3040	2.50"	6.00"	6.00"	2.50"	.200"
215-25-3040	2.75"	6.00"	6.00"	2.75"	.200"
215-27-3040	3.00"	6.00"	6.00"	3.00"	.200"
215-32-3040	3.50"	6.00"	6.00"	3.50"	.200"
215-36-3090	4.00"	9.00"	9.00"	4.00"	.200"
215-36-3040	4.00"	6.00"	6.00"	4.00"	.200"

5 PLY HIGH PERFORMANCE SILICONE 90° ELBOWS

- 5 Ply Silicone Hose, Nomex (Aramid) Reinforced Construction For Extreme Temperatures.
- Recommended for temperatures: **-65° to 500°F (-53.9°C to 260°C)**
- Provides excellent resistance for extreme temperature application.
- Economical for turbocharger applications.
- Engineered for Extreme temperature turbocharger applications.
- Resistant to minor chemical splash and oil exposure.
- Ozone and UV Resistant.
- Heat Shield Available on request.
- Custom Ply Construction Available to meet custom Applications.
- Available in Red Brick Glossy Finish. - Must Order in 5 unit multiples

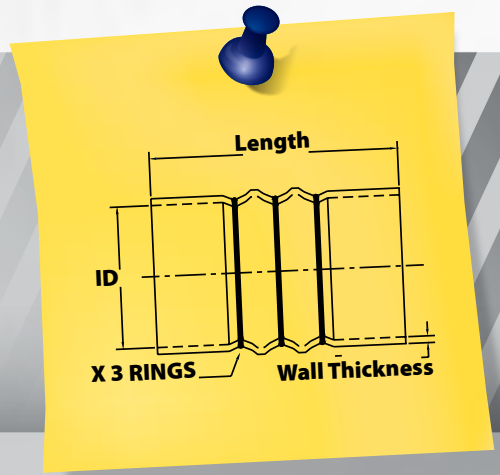


5 PLY High Performance Silicone 45° Elbows

Part Number	Inside Diameter ID (In)	Leg 1.00 A (In)	Leg 2.00 B (In)	Inside Radius R (In)	Wall Thickness T (In)
214-04-3040	0.50"	6.00"	6.00"	0.75"	.200"
214-05-3040	0.63"	6.00"	6.00"	1.00"	.200"
214-06-3040	0.75"	6.00"	6.00"	1.00"	.200"
214-08-3040	1.00"	6.00"	6.00"	1.50"	.200"
214-11-3040	1.25"	6.00"	6.00"	2.00"	.200"
214-13-3040	1.38"	6.00"	6.00"	1.50"	.200"
214-14-3040	1.50"	6.00"	6.00"	2.50"	.200"
214-16-3040	1.75"	6.00"	6.00"	2.25"	.200"
214-18-3040	2.00"	6.00"	6.00"	2.00"	.200"
214-20-3040	2.25"	6.00"	6.00"	2.25"	.200"
214-22-3040	2.38"	6.00"	6.00"	3.00"	.200"
214-23-3040	2.50"	6.00"	6.00"	2.50"	.200"
214-25-3040	2.75"	6.00"	6.00"	2.75"	.200"
214-27-3040	3.00"	6.00"	6.00"	3.00"	.200"
214-32-3040	3.50"	6.00"	6.00"	3.50"	.200"
214-34-3040	3.75"	6.00"	6.00"	4.00"	.200"
214-36-3090	4.00"	9.00"	9.00"	4.00"	.200"
214-36-3040	4.00"	6.00"	6.00"	4.00"	.200"
214-38-3090	4.50"	9.00"	9.00"	4.50"	.200"

5 PLY HIGH PERFORMANCE SILICONE 45° ELBOWS

- 5 Ply Silicone Hose, Nomex (Aramid) Reinforced Construction For Extreme Temperatures.
- Recommended for temperatures: **-65° to 500°F (-53.9°C to 260°C)**
- Economical for Turbocharger Applications.
- Engineered for Extreme temperature Turbocharged Applications.
- Resistant to minor chemical splash and oil exposure.
- Ozone and UV Resistant.
- Heat shield Available on request.
- Custom Ply Construction Available to meet custom Applications.
- Available in Red Brick Glossy Finish. - Must Order in 5 unit multiples

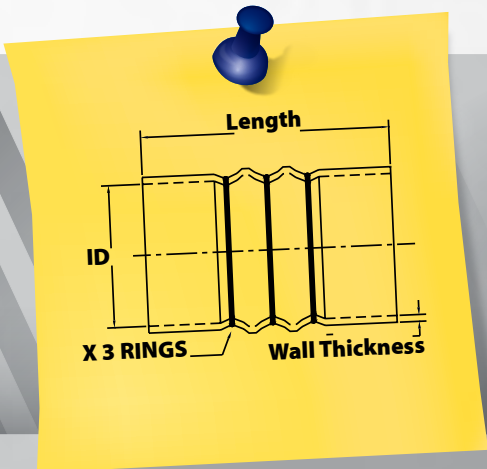


4 PLY High Nomex (Aramid) Hot Side 500° (CAC) Charge Air Cooler Hose

Part Number	ID In	ID mm	OD In	OD mm	Length In	Number of Rings
202-27-2042	3.00	76.20	3.21	81.534	6.00	3
202-32-2042	3.50	88.90	3.71	94.234	6.00	3
202-36-2042	4.00	101.60	4.21	106.934	6.00	3
202-36-2062	4.00	101.60	4.21	106.934	7.50	3
202-36-2072	4.00	101.60	4.21	106.934	8.00	3
202-32-2073	3.50	88.90	3.71	94.234	8.00	6
202-36-2041	4.00	101.60	4.21	106.934	6.00	2
202-36-2103	4.00	101.60	4.21	106.934	10.00	6
202-36-2083	4.00	101.60	4.21	106.934	8.50	6

4 PLY NOMEX (ARAMID) HOT SIDE 500° (CAC) CHARGE AIR COOLER HOSE

- 4 Ply Silicone Hose, Nomex /Aramid Reinforced Construction
- Recommended for temperatures: **-65° to 500°F (-53.9°C to 260°C)**
- Convolutions increase flexibility.
- 316 stainless steel restraining rings.
- Combines Economy and High Performance.
- Ozone and UV Resistant.
- Available in Red Brick Glossy Finish. - Must Order in 5 unit multiples

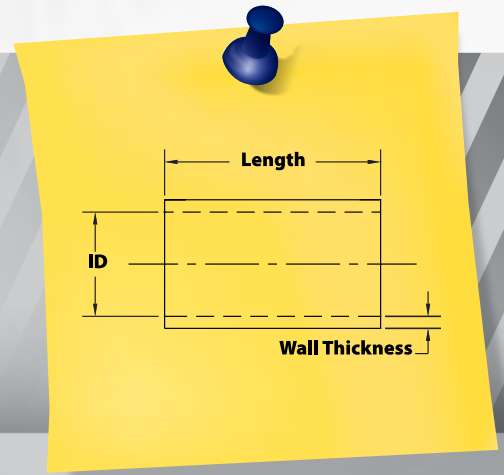
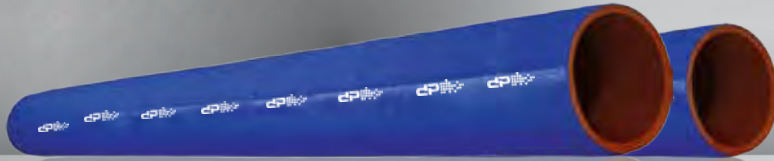


4 PLY High Polyester Cold Side 350° (CAC) Charge Air Cooler Hose

Part Number	ID In	ID mm	OD In	OD mm	Length In	Number of Rings
203-27-2042	3.00	76.20	3.21	81.53	6.00	3
203-32-2042	3.50	88.90	3.71	94.23	6.00	3
203-36-2042	4.00	101.60	4.21	106.93	6.00	3
203-36-2062	4.00	101.60	4.21	106.93	7.50	3
203-36-2072	4.00	101.60	4.21	106.93	8.00	3

4 PLY HIGH POLYESTER COLD SIDE 350° (CAC) CHARGER AIR COOLER HOSE

- 4 Ply Silicone Hose, Polyester Reinforced Construction
- Recommended for temperatures: **-65° to 350°F (-53.9°C to 176.6°C)**
- Convolutions increase flexibility
- 316 stainless steel restraining rings.
- Combines Economy and High Performance.
- Ozone and UV Resistant.
- Available in Blue Glossy Finish.

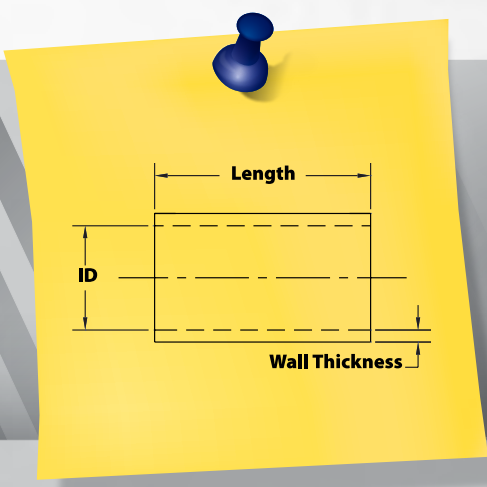


3 PLY High Performance Silicone Coolant Hose **3'** Foot Lengths

Part Number	ID In	ID mm	OD In	OD mm	Length In	Length mm
204-01-1110	0.25	6.35	0.598	15.1892	36.00	914.4
204-04-1110	0.50	12.70	0.848	21.5392	36.00	914.4
204-06-1110	0.75	19.05	1.098	27.8892	36.00	914.4
204-08-1110	1.00	25.40	1.348	34.2392	36.00	914.4
204-14-1110	1.50	38.10	1.848	46.9392	36.00	914.4
204-16-1110	1.75	44.45	2.098	53.2892	36.00	914.4
204-17-1110	1.88	47.752	2.223	56.4642	36.00	914.4
204-18-1110	2.00	50.80	2.348	59.6392	36.00	914.4
204-23-1110	2.50	63.50	2.848	72.3392	36.00	914.4
204-25-1110	2.75	69.85	3.098	78.6892	36.00	914.4
204-26-1110	2.88	73.152	3.223	81.8642	36.00	914.4
204-27-1110	3.00	76.20	3.348	85.0392	36.00	914.4
204-31-1110	3.38	85.852	3.723	94.5642	36.00	914.4
204-32-1110	3.50	88.90	3.848	97.7392	36.00	914.4
204-34-1110	3.75	95.25	4.098	104.0892	36.00	914.4

3 PLY HIGH PERFORMANCE SILICONE COOLANT HOSE 3' FOOT LENGTHS

- 3 Ply Silicone Hose, Polyester Reinforced Construction.
- Recommended for temperatures: **-65° to 350°F (-53.9°C to 176.6°C)**
- Resistant to many Chemicals, Cold, Leaks and Aging.
- Meets Physical characteristics of SAE J20 R1, SAE J20 R1 H.T. Class A, TMC RP303B Grade I and Grade II, Mil Spec A-A-52426 and Various Heavy-Duty OEM requirements.
- UV and Ozone Resistant.
- Available in Blue Glossy Finish 36" lengths

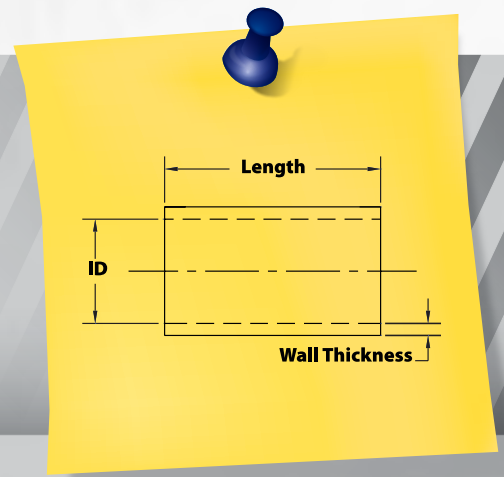
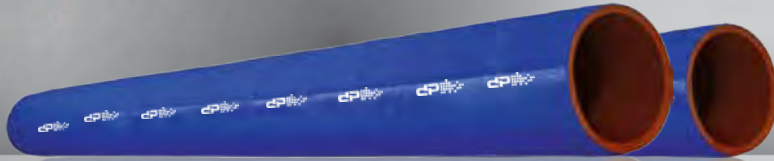


3 PLY High Performance Silicone Coolant Hose **3'** Foot Lengths

Part Number	ID In	ID mm	OD In	OD mm	Length In	Length mm
204-35-1110	3.88	98.425	4.223	107.264	36.00	914.40
204-36-1110	4.00	101.600	4.348	110.439	36.00	914.40
204-37-1110	4.25	107.950	4.598	116.789	36.00	914.40
204-38-1110	4.50	114.300	4.848	123.139	36.00	914.40
204-39-1110	4.75	120.650	5.098	129.489	36.00	914.40
204-40-1110	5.00	127.000	5.348	135.839	36.00	914.40
204-41-1000	5.25	133.350	5.598	142.189	36.00	914.40
204-42-1110	5.50	139.700	5.848	148.539	36.00	914.40
204-43-1110	6.00	152.400	6.348	161.239	36.00	914.40
204-44-1110	6.50	165.100	6.848	173.939	36.00	914.40
204-46-1110	7.00	177.800	7.348	186.639	36.00	914.40
204-47-1110	7.25	184.150	7.598	192.989	36.00	914.40
204-48-1110	7.50	190.500	7.848	199.339	36.00	914.40
204-49-1110	8.00	203.200	8.348	212.039	36.00	914.40

3 PLY HIGH PERFORMANCE SILICONE COOLANT HOSE 3' FOOT LENGTHS

- 3 Ply Silicone Hose, Polyester Reinforced Construction.
- Recommended for temperatures:- **65° to 350°F (-53.9°C to 176.6°C)**
- Resistant to many Chemicals, Cold, Leaks and Aging.
- Meets Physical characteristics of SAE J20 R1, SAE J20 R1 H.T. Class A, TMC RP303B Grade I and Grade II, Mil Spec A-A-52426 and various Heavy-Duty OEM requirements.
- UV and Ozone Resistant.
- Available in Blue Glossy Finish 36" lengths

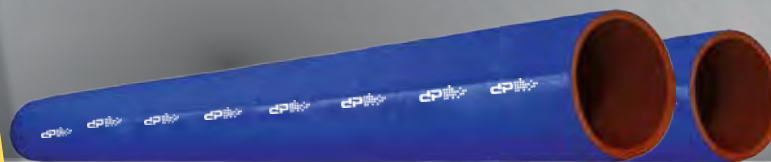
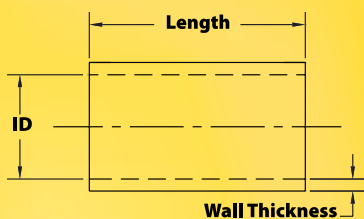


Heavy Duty 4 PLY High Performance Silicone Coolant Hose **3'** Foot Lengths

Part Number	ID In	ID mm	OD In	OD mm	Length In	Length mm
205-01-2110	0.25	6.350	0.634	16.104	36.00	914.40
205-04-2110	0.50	12.700	0.884	22.454	36.00	914.40
205-06-2110	0.75	19.050	1.134	28.804	36.00	914.40
205-08-2110	1.00	25.400	1.384	35.154	36.00	914.40
205-14-2110	1.50	38.100	1.884	47.854	36.00	914.40
205-16-2110	1.75	44.450	2.134	54.204	36.00	914.40
205-17-2110	1.88	47.625	2.259	57.379	36.00	914.40
205-18-2110	2.00	50.800	2.384	60.554	36.00	914.40
205-23-2110	2.50	63.500	2.884	73.254	36.00	914.40
205-25-2110	2.75	69.850	3.134	79.604	36.00	914.40
205-26-2110	2.88	73.025	3.259	82.779	36.00	914.40
205-27-2110	3.00	76.200	3.384	85.954	36.00	914.40
205-31-2110	3.38	85.725	3.759	95.479	36.00	914.40
205-32-2110	3.50	88.900	3.884	98.654	36.00	914.40
205-34-2110	3.75	95.250	4.134	105.004	36.00	914.40

4 PLY HIGH PERFORMANCE SILICONE COOLANT HOSE 3' FOOT LENGTHS

- 4 Ply Silicone Hose, Polyester Reinforced Construction.
- Recommended for temperatures: **-65° to 350°F (-53.9°C to 176.6°C)**
- Resistant to many Chemicals, Cold, Leaks and Aging.
- Meets physical characteristics of SAE J20 R1, SAE J20 R1 H.T. Class A, TMC RP303B Grade I and Grade II, Mil Spec A-A-52426 and various Heavy-Duty OEM requirements.
- UV and Ozone Resistant.
- Available in Blue Glossy Finish 36" lengths

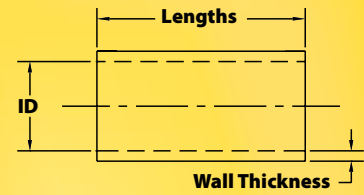


Heavy Duty 4 PLY High Performance Silicone Coolant Hose **3'** Foot Lengths

Part Number	ID In	ID mm	OD In	OD Length	Length In	Length mm
205-35-2110	3.88	98.425	4.259	108.179	36.00	914.40
205-36-2110	4.00	101.600	4.384	111.354	36.00	914.40
205-37-2110	4.25	107.950	4.634	117.704	36.00	914.40
205-38-2110	4.50	114.300	4.884	124.054	36.00	914.40
205-39-2110	4.75	120.650	5.134	130.404	36.00	914.40
205-40-2110	5.00	127.000	5.384	136.754	36.00	914.40
205-41-2110	5.25	133.350	5.634	143.104	36.00	914.40
205-42-2110	5.50	139.700	5.884	149.454	36.00	914.40
205-43-2110	6.00	152.400	6.384	162.154	36.00	914.40
205-44-2110	6.50	165.100	6.884	174.854	36.00	914.40
205-46-2110	7.00	177.800	7.384	187.554	36.00	914.40
205-47-2110	7.25	184.150	7.634	193.904	36.00	914.40
205-48-2110	7.50	190.500	7.884	200.254	36.00	914.40
205-49-2110	8.00	203.200	8.384	212.954	36.00	914.40

4 PLY HIGH PERFORMANCE SILICONE COOLANT HOSE 3' FOOT LENGTHS

- 4 Ply Silicone Hose, Polyester Reinforced Construction.
- Recommended for temperatures: **-65° to 350°F (-53.9°C to 176.6°C)**
- Resistant to many Chemicals, Cold, Leaks and Aging.
- Meets physical characteristics of SAE J20 R1, SAE J20 R1 H.T. Class A, TMC RP303B Grade I and Grade II, Mil Spec A-A-52426 and various Heavy-Duty OEM requirements.
- UV and Ozone Resistant.
- Available in Blue Glossy Finish 36" lengths

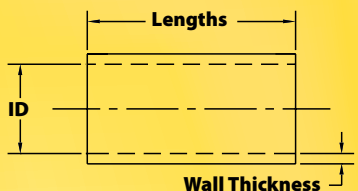


3 PLY Fiberglass High Performance Silicone TURBO HOSE

Part Number	ID In	ID mm	OD In	OD mm	Length In	Length mm
207-01-1110	0.25	6.350	0.472	11.989	36.00	914.40
207-04-1110	0.50	12.700	0.722	18.339	36.00	914.40
207-06-1110	0.75	19.050	0.972	24.689	36.00	914.40
207-08-1110	1.00	25.400	1.222	31.039	36.00	914.40
207-14-1110	1.50	38.100	1.722	43.739	36.00	914.40
207-16-1110	1.75	44.450	1.972	50.089	36.00	914.40
207-17-1110	1.88	47.625	2.097	53.264	36.00	914.40
207-18-1110	2.00	50.800	2.222	56.439	36.00	914.40
207-23-1110	2.50	63.500	2.722	69.139	36.00	914.40
207-25-1110	2.75	69.850	2.972	75.489	36.00	914.40
207-26-1110	2.88	73.025	3.097	78.664	36.00	914.40
207-27-1110	3.00	76.200	3.222	81.839	36.00	914.40
207-32-1110	3.50	88.900	3.722	94.539	36.00	914.40
207-34-1110	3.75	95.250	3.972	100.889	36.00	914.40
207-36-1110	4.00	101.600	4.222	107.239	36.00	914.40
207-38-1110	4.50	114.300	4.722	119.939	36.00	914.40
207-40-1110	5.00	127.000	5.222	132.639	36.00	914.40
207-42-1110	5.50	139.700	5.722	145.339	36.00	914.40
207-43-1110	6.00	152.400	6.222	158.039	36.00	914.40
207-44-1110	6.50	165.100	6.722	170.739	36.00	914.40
207-46-1110	7.00	177.800	7.222	183.439	36.00	914.40
207-48-1110	7.50	190.500	7.722	196.139	36.00	914.40
207-49-1110	8.00	203.200	8.222	208.839	36.00	914.40

3 PLY FIBERGLASS HIGH PERFORMANCE SILICONE TURBO HOSE

- 3 Ply Fiberglass Reinforced Construction.
- Recommended for extreme temperatures: **-65° to 500° F (-53.9°C to 260°C)**
- Resistant to minor chemical splash and oil Exposure.
- Ozone and UV Resistant.
- Heat Shield available on request.
- Available in Red Brick Glossy Finish 36" lengths.

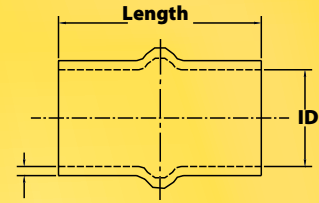
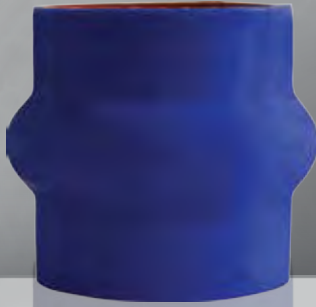


Heavy Duty 4 PLY Nomex (Aramid) High Performance Silicone **TURBO HOSE**

Part Number	ID In	ID mm	OD In	OD mm	Length In	Length mm
206-01-2110	0.25	6.350	0.530	13.462	36.00	914.40
206-04-2110	0.50	12.700	0.780	19.812	36.00	914.40
206-06-2110	0.75	19.050	1.030	26.162	36.00	914.40
206-08-2110	1.00	25.400	1.280	32.512	36.00	914.40
206-14-2110	1.50	38.100	1.780	45.212	36.00	914.40
206-16-2110	1.75	44.450	2.030	51.562	36.00	914.40
206-17-2110	1.88	47.625	2.155	54.737	36.00	914.40
206-18-2110	2.00	50.800	2.280	57.912	36.00	914.40
206-23-2110	2.50	63.500	2.780	70.612	36.00	914.40
206-25-2110	2.75	69.850	3.030	76.962	36.00	914.40
206-26-2110	2.88	73.025	3.155	80.137	36.00	914.40
206-27-2110	3.00	76.200	3.280	83.312	36.00	914.40
206-32-2110	3.50	88.900	3.780	96.012	36.00	914.40
206-34-2110	3.75	95.250	4.030	102.362	36.00	914.40
206-36-2110	4.00	101.600	4.280	108.712	36.00	914.40
206-38-2110	4.50	114.300	4.780	121.412	36.00	914.40
206-40-2110	5.00	127.000	5.280	134.112	36.00	914.40
206-42-2110	5.50	139.700	5.780	146.812	36.00	914.40
206-43-2110	6.00	152.400	6.280	159.512	36.00	914.40
206-46-2110	7.00	177.800	7.280	184.912	36.00	914.40
206-48-2110	7.50	190.500	7.780	197.612	36.00	914.40
206-49-2110	8.00	203.200	8.280	210.312	36.00	914.40

4 PLY FIBERGLASS HIGH PERFORMANCE SILICONE TURBO HOSE

- 4 Ply Nomex (Aramid) Reinforced Construction.
- Recommended for extreme temperatures: **-65° to 500° F (-53.9°C to 260°C)**
- Resistant to minor chemical splash and oil exposure.
- Ozone and UV Resistant.
- Heat Shield available on request.
- Available in Red Brick Glossy Finish 36" lengths.

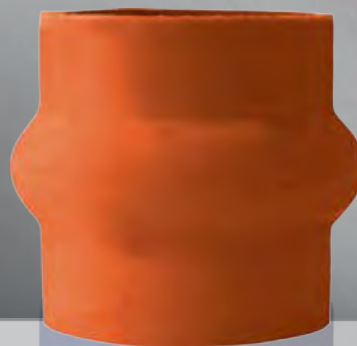
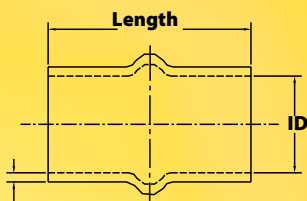


4 PLY High Performance Silicone Cold Side **HUMP HOSE**

Part Number	ID In	ID mm	OD In	OD mm	Length In	Length mm
209-14-2020	1.50	38.100	1.825	46.355	4.00	101.60
209-16-2020	1.75	44.450	2.075	52.705	4.00	101.60
209-18-2020	2.00	50.800	2.325	59.055	4.00	101.60
209-20-2020	2.25	57.150	2.575	65.405	4.00	101.60
209-22-2020	2.38	60.325	2.700	68.580	4.00	101.60
209-23-2020	2.50	63.500	2.825	71.755	4.00	101.60
209-25-2020	2.75	69.850	3.075	78.105	4.00	101.60
209-27-2020	3.00	76.200	3.325	84.455	4.00	101.60
209-29-2020	3.25	82.550	3.575	90.805	4.00	101.60
209-32-2020	3.50	88.900	3.825	97.155	4.00	101.60
209-36-2020	4.00	101.600	4.325	109.855	4.00	101.60
209-38-2020	4.50	114.300	4.825	122.555	4.00	101.60
209-40-2020	5.00	127.000	5.325	135.255	4.00	101.60

4 PLY HIGH PERFORMANCE SILICONE COLD SIDE HUMP HOSE

- 4 Ply Silicone Hose, Polyester Reinforced Construction.
- Recommended for temperatures: **-65° to 350°F (-53.9°C to 176.6°C)**
- Engineered for coolant and cold side turbocharger applications in heavy-duty and automotive.
- Silicone provides excellent low and high temperature resistance.
- Compensates for vibration and offsets
- Ozone and UV Resistant.
- Available in Blue Glossy Finish.

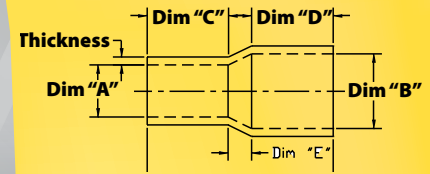


4 PLY Nomex (Aramid) Hot Side **HUMP HOSE**

Part Number	ID In	ID mm	OD In	OD mm	Length In	Length mm
208-14-2020	1.50	38.100	1.825	46.355	4.00	101.60
208-16-2020	1.75	44.450	2.075	52.705	4.00	101.60
208-18-2020	2.00	50.800	2.325	59.055	4.00	101.60
208-20-2020	2.25	57.150	2.575	65.405	4.00	101.60
208-22-2020	2.38	60.325	2.700	68.580	4.00	101.60
208-23-2020	2.50	63.500	2.825	71.755	4.00	101.60
208-25-2020	2.75	69.850	3.075	78.105	4.00	101.60
208-27-2020	3.00	76.200	3.325	84.455	4.00	101.60
208-29-2020	3.25	82.550	3.575	90.805	4.00	101.60
208-32-2020	3.50	88.900	3.825	97.155	4.00	101.60
208-36-2020	4.00	101.600	4.325	109.855	4.00	101.60
208-38-2020	4.50	114.300	4.825	122.555	4.00	101.60
208-40-2020	5.00	127.000	5.325	135.255	4.00	101.60

4 PLY NOMEX (ARAMID) HOT SIDE HUMP HOSE

- 4 Ply Silicone Hose, (Aramid) Reinforced Construction
- Recommended for temperatures: **-65° to 500°F (-53.9°C to 260°C)**
- Engineered for high temperature turbocharger applications.
- Silicone is resistant to extreme conditions and temperature.
- Resistant to minor chemical splash and oil exposure.
- Compensates for vibration and offsets.
- Ozone and UV Resistant.
- Available in Red Brick Glossy Finish

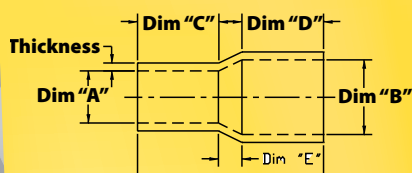


4 PLY High Performance Silicone REDUCERS

Part Number	DIM A In	DIM B In	DIM A mm	DIM B mm	Wall (+ - .02")	Length 4.00"
210-14/16-2020	1.50	1.750	38.100	44.450	0.167	4.00
210-14/18-2020	1.50	2.000	38.100	50.800	0.167	4.00
210-16/18-2020	1.75	2.000	44.450	50.800	0.167	4.00
210-16/20-2020	1.75	2.250	44.450	57.150	0.167	4.00
210-16/23-2020	1.75	2.500	44.450	63.500	0.167	4.00
210-18/20-2020	2.00	2.250	50.800	57.150	0.167	4.00
210-18/22-2020	2.00	2.375	50.800	60.325	0.167	4.00
210-18/23-2020	2.00	2.500	50.800	63.500	0.167	4.00
210-18/25-2020	2.00	2.750	50.800	69.850	0.167	4.00
210-18/27-2020	2.00	3.000	50.800	76.200	0.167	4.00
210-20/23-2020	2.25	2.500	57.150	63.500	0.167	4.00
210-20/25-2020	2.25	2.750	57.150	69.850	0.167	4.00
210-20/27-2020	2.25	3.000	57.150	76.200	0.167	4.00
210-23/25-2020	2.50	2.750	63.500	69.850	0.167	4.00
210-23/26-2020	2.50	2.780	63.500	70.612	0.167	4.00
210-23/27-2020	2.50	3.000	63.500	76.200	0.167	4.00

4 PLY HIGH PERFORMANCE SILICONE REDUCERS

- 4 Ply Silicone Hose, Polyester Reinforced Construction.
- Recommended for temperatures: **-65° to 350°F (-53.9°C to 176.6°C)**
- Engineered for coolant and cold side turbocharger applications in heavy-duty and automotive.
- Silicone provides excellent Low and High temperature resistance.
- Compensates for vibration and offsets
- Ozone and UV Resistant.
- Available in Blue Glossy Finish

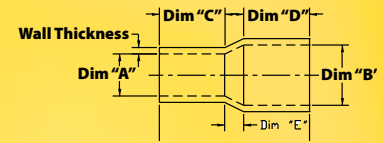


4 PLY High Performance Silicone REDUCERS

Part Number	DIM A In	DIM B In	DIM A mm	DIM B mm	Wall (+ - .02")	Length 4.00"
210-23/32-2020	2.50	3.50	63.500	88.900	0.167	4.00
210-25/27-2020	2.75	3.00	69.850	76.200	0.167	4.00
210-25/29-2020	2.75	3.25	69.850	82.550	0.167	4.00
210-25/32-2020	2.75	3.50	69.850	88.900	0.167	4.00
210-27/29-2020	3.00	3.25	76.200	82.550	0.167	4.00
210-27/32-2020	3.00	3.50	76.200	88.900	0.167	4.00
210-27/34-2020	3.25	3.75	82.550	95.250	0.167	4.00
210-27/36-2020	3.00	4.00	76.200	101.600	0.167	4.00
210-29/32-2020	3.25	3.50	82.550	88.900	0.167	4.00
210-29/34-2020	3.25	3.75	82.550	95.250	0.167	4.00
210-29/36-2020	3.25	4.00	82.550	101.600	0.167	4.00
210-32/34-2020	3.50	3.75	88.900	95.250	0.167	4.00
210-32/36-2020	3.50	4.00	88.900	101.600	0.167	4.00
210-32/38-2020	3.50	4.50	88.900	114.300	0.167	4.00
210-32/39-2020	3.50	4.75	88.900	120.650	0.167	4.00
210-34/38-2020	3.75	4.50	95.250	114.300	0.167	4.00
210-36/38-2020	4.00	4.50	101.600	114.300	0.167	4.00

4 PLY HIGH PERFORMANCE SILICONE REDUCERS

- 4 Ply Silicone Hose, Polyester Reinforced Construction.
- Recommended for temperatures: **-65° to 350° F (-53.9°C to 176.6°C)**
- Engineered for coolant and cold side turbocharger applications in heavy-duty and automotive.
- Silicone provides excellent Low and High temperature resistance.
- Compensates for vibration and offsets
- Ozone and UV Resistant.
- Available in Blue Glossy Finish

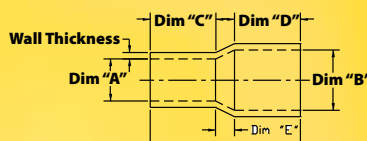


4 PLY Nomex (Aramid) High Performance Silicone Hot Side REDUCERS

Part Number	DIM A In	DIM B In	DIM A mm	DIM B mm	Wall (+ - .02")	Length 4.00"
216-14/16-2020	1.50	1.750	38.100	44.450	0.167	4.00
216-14/18-2020	1.50	2.000	38.100	50.800	0.167	4.00
216-16/18-2020	1.75	2.000	44.450	50.800	0.167	4.00
216-16/20-2020	1.75	2.250	44.450	57.150	0.167	4.00
216-16/23-2020	1.75	2.500	44.450	63.500	0.167	4.00
216-18/20-2020	2.00	2.250	50.800	57.150	0.167	4.00
216-18/22-2020	2.00	2.375	50.800	60.325	0.167	4.00
216-18/23-2020	2.00	2.500	50.800	63.500	0.167	4.00
216-18/25-2020	2.00	2.750	50.800	69.850	0.167	4.00
216-18/27-2020	2.00	3.000	50.800	76.200	0.167	4.00
216-20/23-2020	2.25	2.500	57.150	63.500	0.167	4.00
216-20/25-2020	2.25	2.750	57.150	69.850	0.167	4.00
216-20/27-2020	2.25	3.000	57.150	76.200	0.167	4.00
216-23/25-2020	2.50	2.750	63.500	69.850	0.167	4.00
216-23/26-2020	2.50	2.780	63.500	70.612	0.167	4.00
216-23/27-2020	2.50	3.000	63.500	76.200	0.167	4.00

4 PLY NOMEX (ARAMID) HIGH PERFORMANCE SILICONE HOT SIDE REDUCERS

- 4 Ply Nomex (Aramid) Reinforced Construction For Extreme Temperatures.
- Recommended for temperatures: **-65° to 500° F (-53.9°c to 260°c)**
- Engineered for High Temperature Turbocharger Applications.
- Silicone is resistant to Extreme Conditions and Temperatures.
- Resistant to minor chemical and oil exposure.
- Compensates for vibration and offsets.
- Available in Red Brick Glossy Finish.

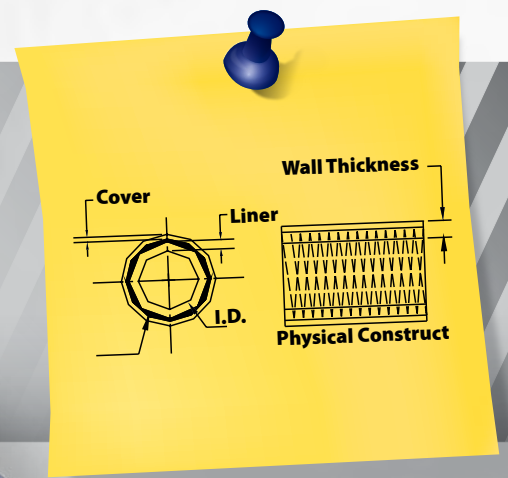
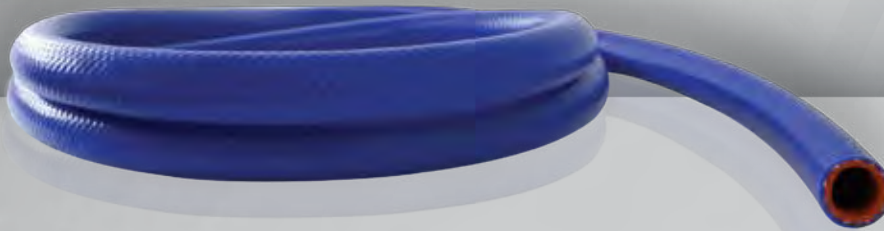


4 PLY Nomex (Aramid) High Performance Silicone Hot Side REDUCERS

Part Number	DIM A In	DIM B In	DIM A mm	DIM B mm	Wall (+ - .02")	Length 4.00"
216-23/32-2020	2.50	3.500	63.500	88.900	0.167	4.00
216-25/27-2020	2.75	3.000	69.850	76.200	0.167	4.00
216-25/29-2020	2.75	3.250	69.850	82.550	0.167	4.00
216-25/32-2020	2.75	3.500	69.850	88.900	0.167	4.00
216-27/29-2020	3.00	3.250	76.200	82.550	0.167	4.00
216-27/32-2020	3.00	3.500	76.200	88.900	0.167	4.00
216-27/34-2020	3.00	3.750	76.200	95.250	0.167	4.00
216-27/36-2020	3.00	4.000	76.200	101.600	0.167	4.00
216-29/32-2020	3.25	3.500	82.550	88.900	0.167	4.00
216-29/34-2020	3.25	3.750	82.550	95.250	0.167	4.00
216-29/36-2020	3.25	4.000	82.550	101.600	0.167	4.00
216-32/34-2020	3.50	3.750	88.900	95.250	0.167	4.00
216-32/36-2020	3.50	4.000	88.900	101.600	0.167	4.00
216-32/38-2020	3.50	4.500	88.900	114.300	0.167	4.00
216-32/39-2020	3.50	4.750	88.900	120.650	0.167	4.00
216-34/38-2020	3.75	4.500	95.250	114.300	0.167	4.00
216-36/38-2020	4.00	4.500	101.600	114.300	0.167	4.00

4 PLY NOMEX (ARAMID) HIGH PERFORMANCE SILICONE HOT SIDE REDUCERS

- 4 Ply Nomex (Aramid) Reinforced Construction For Extreme Temperatures.
- Recommended for temperatures: **-65° to 500° F (-53.9°C to 260°C)**
- Engineered for High Temperature Turbocharger Applications.
- Silicone is resistant to Extreme Conditions and Temperatures.
- Resistant to minor chemical and oil exposure.
- Compensates for vibration and offsets.
- Available in Red Brick Glossy Finish

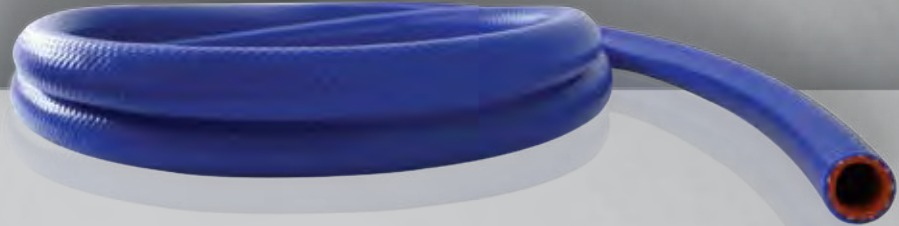
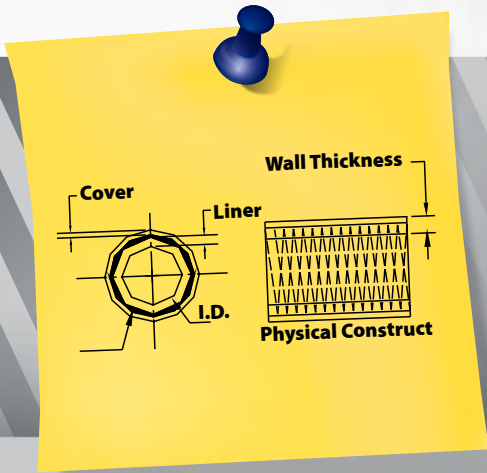


Heavy Duty High Performance Silicone .170/.200" WALL-HEATER HOSE

Part Number	Inside Dia. In	Inside Dia. In	Inside Dia. mm	Wall Thickness T (In)
212-00-120	0.188	3/16"	4.763	.170/.220"
212-01-120	0.250	1/4"	6.350	.170/.220"
212-02-120	0.313	5/16"	7.938	.170/.220"
212-03-121	0.375	3/8"	9.525	.170/.220"
212-04-121	0.500	1/2"	12.700	.170/.220"
212-05-121	0.625	5/8"	15.875	.170/.220"
212-06-122	0.750	3/4"	19.050	.170/.220"
212-07-122	0.875	7/8"	22.225	.170/.220"
212-08-122	1.000	1"	25.400	.170/.220"
212-10-122	1.125	1 1/8"	28.575	.170/.220"
212-11-122	1.250	1 1/4"	31.750	.170/.220"

HIGH PERFORMANCE SILICONE 170/.200" WALL-HEATER HOSE

- Single-Ply Silicone Polyester Reinforced Wall.
- Recommended for temperatures: **-65° to 350°F (-53.9°C to 176.6°C)**
- Resistant to coolants, cold, leaks, peeling, cracking, aging and ozone.
- Meets all physical characteristics of SAE J20 R3, Class A 4.1.4.
- Available in Blue in 25" Rolls

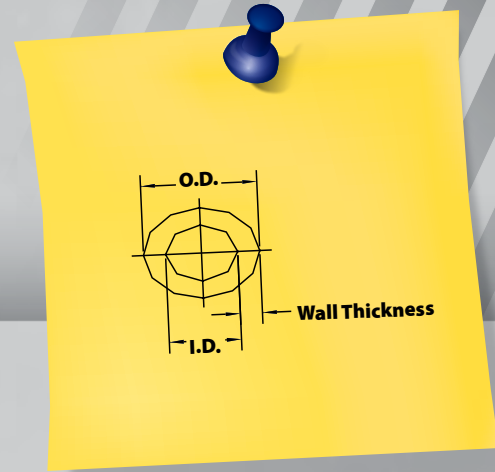


High Performance Silicone **.140/.170"** WALL-HEATER HOSE

Part Number	Inside Dia. In	Inside Dia. In	Inside Dia. mm	Wall Thickness T (In)
211-00-120	0.188	3/16"	4.763	.140/.170"
211-01-120	0.250	1/4"	6.350	.140/.170"
211-02-120	0.313	5/16"	7.938	.140/.170"
211-03-120	0.375	3/8"	9.525	.140/.170"
211-04-120	0.500	1/2"	12.700	.140/.170"
211-05-120	0.625	5/8"	15.875	.140/.170"
211-06-120	0.750	3/4"	19.050	.140/.170"
211-07-120	0.875	7/8"	22.225	.140/.170"
211-08-120	1.000	1"	25.400	.140/.170"
211-10-120	1.125	1 1/8"	28.575	.140/.170"
211-11-120	1.250	1 1/4"	31.750	.140/.170"

HIGH PERFORMANCE SILICONE **.140/.170"** WALL-HEATER HOSE

- Single-Ply Silicone Polyester Reinforced Wall.
- Recommended for temperatures: - 65° to 350° F (-53.9°c to 176.6°c)
- Resistant to coolants, cold, leaks, peeling, cracking, aging and ozone.
- Meets all physical characteristics of SAE J20 R3, Class A 4.1.4.
- Available in Blue in 25" Rolls

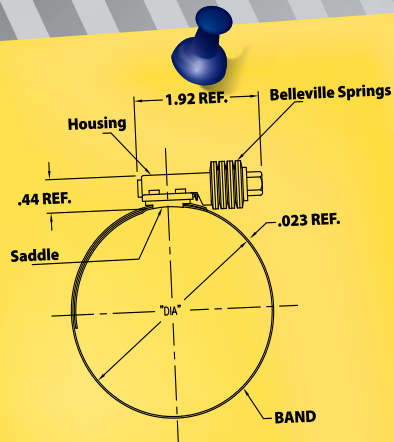


High Performance Silicone Vacuum Hose **25'** Lengths Available

Part Number	Hose ID	mm	Wall Thickness	mm
213-00-120	0.188	4.763	0.090/0.110"	2.286-2.794
213-01-120	0.250	6.350	0.090/0.110"	2.286-2.794
213-02-120	0.313	7.938	0.100-0.120"	2.540-3.048
213-03-120	0.375	9.525	0.115-0.135"	2.921-3.429
213-04-120	0.500	12.700	0.115-0.135"	2.921-3.429
213-05-120	0.625	15.875	0.115-0.135"	2.921-3.429
213-06-120	0.750	19.050	0.115-0.135"	2.921-3.429

HIGH PERFORMANCE SILICONE HOSE 25" LENGTHS AVAILABLE

- Extruded silicone hose.
- For use in Emission Control, Coolant, Overflow and Vacuum.
- Available in Blue in 25" Rolls

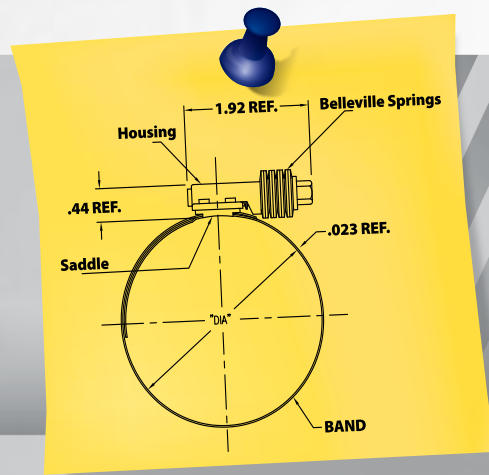
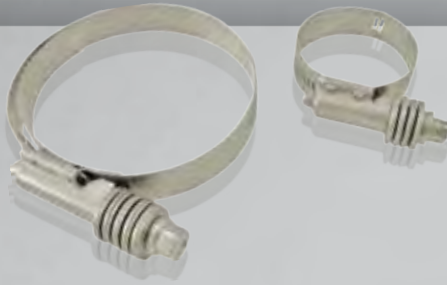


Constant - Torque HEAVY DUTY CLAMPS

Part Number	Minimum Inches	mm	Minimum Inches	mm
219-9410-1	9/16"	14	1-1/16"	27
219-9412-1	11/16"	17	1-1/4"	32
219-9416-1	13/16"	21	1-1/2"	38
219-9420-1	13/16"	21	1-3/4"	44
219-9424-1	1-1/16"	27	2.00"	51
219-9428-1	1-5/16"	33	2-1/4"	57
219-9432-1	1-9/16"	40	2-1/2"	64
219-9436-1	1-13/16"	46	2-3/4"	70

CONSTANT TORQUE HEAVY DUTY CLAMPS

- Recommended For Coolant System
- Design Eliminates Fluid Leaks
- Self adjusts for Thermal Expansion /Contraction
- All Stainless Steel Construction
- Recommended for use on turbo exhaust sleeves, heater hose, coolant hose and intake systems.
- 9/16" (14mm) band width.

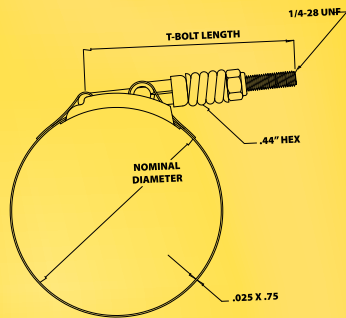


Constant - Torque **HEAVY DUTY CLAMPS**

Part Number	Minimum Inches	mm	Minimum Inches	mm
219-0200-1	1-1/4"	32	2-1/8"	54
219-0250-1	1-3/4"	45	2-5/8"	67
219-0300-1	2-1/4"	57	3-1/8"	79
219-0350-1	2-3/4"	70	3-5/8"	92
219-0400-1	3-1/4"	83	4-1/8"	105
219-0450-1	3-3/4"	95	4-5/8"	118
219-0500-1	4-1/4"	108	5-1/8"	130
219-0550-1	4-3/4"	121	5-5/8"	143
219-0600-1	5-1/4"	133	6-1/8"	156
219-0700-1	6-1/4"	159	7-1/8"	181
219-0750-1	6-3/4"	172	7-5/8"	194
219-0800-1	7-1/4"	184	8-1/8"	206
219-0850-1	7-3/4"	197	8-5/8"	219

CONSTANT TORQUE HEAVY DUTY CLAMPS

- Recommended For Coolant System
- Design Eliminates Fluid Leaks
- Self adjusts for Thermal Expansion /Contraction
- All Stainless Steel Construction.
- Recommended for use on turbo exhaust sleeves, heater hose, coolant hose and intake systems.
- 5/8" (16mm) band width.



Light Duty Spring-Loaded T-Bolt BAND CLAMPS

Part Number	Nominal Dia.	Minimum Dia.	Maximum Dia.	Nominal Dia.	Minimum Dia.	Maximum Dia.
217-125-1	1.25"	1.12"	1.32"	31	28	33
217-138-1	1.38"	1.26"	1.45"	35	32	36
217-162-1	1.62"	1.50"	1.69"	41	38	42
217-194-1	1.94"	1.82"	2.12"	49	46	53
217-225-1	2.25"	2.06"	2.36"	57	52	59
217-238-1	2.38"	2.19"	2.49"	60	55	63
217-244-1	2.44"	2.25"	2.55"	61	57	64
217-265-1	2.65"	2.46"	2.76"	67	62	70
217-275-1	2.75"	2.56"	2.86"	69	65	72
217-278-1	2.78"	2.59"	2.89"	70	65	73
217-288-1	2.88"	2.69"	2.99"	73	68	75
217-300-1	3.00"	2.78"	3.08"	76	70	78
217-316-1	3.16"	2.94"	3.24"	80	74	82
217-325-1	3.25"	3.03"	3.33"	82	76	84
217-330-1	3.30"	3.08"	3.38"	83	78	85
217-337-1	3.37"	3.15"	3.45"	85	80	87
217-344-1	3.44"	3.22"	3.52"	87	81	89
217-375-1	3.75"	3.53"	3.83"	95	89	97
217-378-1	3.78"	3.56"	3.86"	96	80	98

LIGHT DUTY SPRING-LOADED T-BOLT BAND CLAMPS

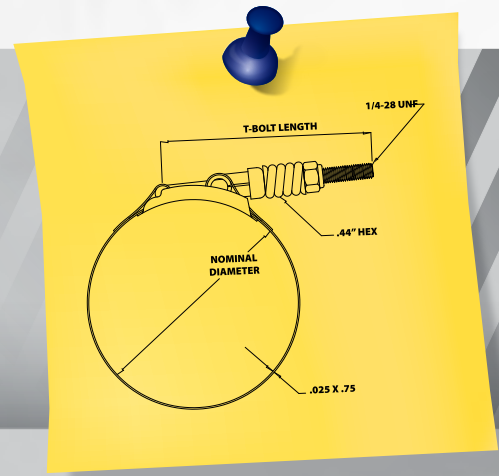
Recommended Torque 50 in - Lbs.

Spring rate of 1900 Lbs./in Capable of Generating a load of 300 lbs.

- ◆ 217 Series Features
- ◆ Constant seal Hot and Cold
- ◆ 300 Series High Quality Stainless Steel Bands and Trunnions
- ◆ Floating Bridges
- ◆ Superior Two Piece Trunnions
- ◆ Zinc Plated T-Bolt and Nut
- ◆ One Piece Springs
- ◆ .025 thick X .75" Band
- ◆ Full Round Edges
- ◆ .25"-28 T Bolt with spring

TYPICAL APPLICATION

- ◆ Silicone Hoses
- ◆ Turbo Intercooler Hoses
- ◆ Turbo Charger Hoses



Light Duty Spring-Loaded T-Bolt BAND CLAMPS

Part Number	Nominal Dia.	Minimum Dia.	Maximum Dia.	Nominal Dia.	Minimum Dia.	Maximum Dia.
217-385-1	3.85"	3.63"	3.93"	97	92	99
217-400-1	4.00"	3.78"	4.08"	101	96	103
217-411-1	4.11"	3.89"	4.19"	104	98	106
217-425-1	4.25"	4.03"	4.33"	107	102	109
217-428-1	4.28"	4.06"	4.36"	108	103	110
217-450-1	4.50"	4.28"	4.58"	114	108	116
217-475-1	4.75"	4.53"	4.83"	120	115	122
217-500-1	5.00"	4.78"	5.08"	127	121	129
217-525-1	5.25"	5.03"	5.33"	133	127	135
217-550-1	5.50"	5.28"	5.58"	139	134	141
217-562-1	5.62"	5.40"	5.70"	142	137	144
217-600-1	6.00"	5.78"	6.08"	152	146	154
217-625-1	6.25"	6.03"	6.33"	158	153	160
217-647-1	6.47"	6.25"	6.55"	164	158	166
217-700-1	7.00"	6.78"	7.08"	177	172	179
217-750-1	7.50"	7.28"	7.58"	190	184	192
217-775-1	7.75"	7.53"	7.83"	198	192	200
217-788-1	7.88"	7.66"	7.96"	200	194	202
217-850-1	8.50"	8.28"	8.58"	215	210	217

LIGHT DUTY SPRING-LOADED T-BOLT BAND CLAMPS

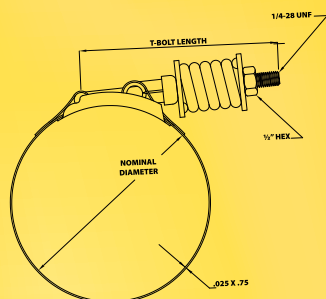
Recommended Torque 50 in - Lbs.

Spring rate of 1900 Lbs./ in Capable of Generating a load of 300 lbs.

- ◆ 217 Series Features
- ◆ Constant seal Hot and Cold
- ◆ 300 Series High Quality Stainless Steel Bands and Trunnions
- ◆ Floating Bridges
- ◆ Superior Two Piece Trunnions
- ◆ Zinc Plated T-Bolt and Nut
- ◆ One Piece Springs
- ◆ .025 thick X .75" Band
- ◆ Full Round Edges
- ◆ .25"-28 T Bolt with spring

TYPICAL APPLICATION

- ◆ Silicone Hoses
- ◆ Turbo Intercooler Hoses
- ◆ Turbo Charger Hoses



Heavy Duty Spring-Loaded T-Bolt BAND CLAMPS

Part Number	Nominal Dia.	Minimum Dia.	Maximum Dia.	Nominal Dia.	Minimum Dia.	Maximum Dia.
218-244-1	2.44"	2.25"	2.55"	61	57	64
218-265-1	2.65"	2.46"	2.76"	67	62	70
218-275-1	2.75"	2.56"	2.86"	69	65	72
218-278-1	2.78"	2.59"	2.89"	70	65	73
218-288-1	2.88"	2.69"	2.99"	73	68	75
218-300-1	3.00"	2.78"	3.08"	76	70	78
218-316-1	3.16"	2.94"	3.24"	80	74	82
218-325-1	3.25"	3.03"	3.38"	82	76	85
218-330-1	3.30"	3.08"	3.38"	83	78	85
218-337-1	3.37"	3.15"	3.45"	85	80	87
218-344-1	3.44"	3.22"	3.52"	87	81	89
218-375-1	3.75"	3.53"	3.88"	95	89	97
218-278-1	3.78"	3.56"	3.86"	96	80	98
218-385-1	3.85"	3.63"	3.93"	97	92	99
218-400-1	4.00"	3.78"	4.13"	101	96	104
218-411-1	4.11"	3.89"	4.24"	104	98	107
218-425-1	4.25"	4.03"	4.33"	107	102	109

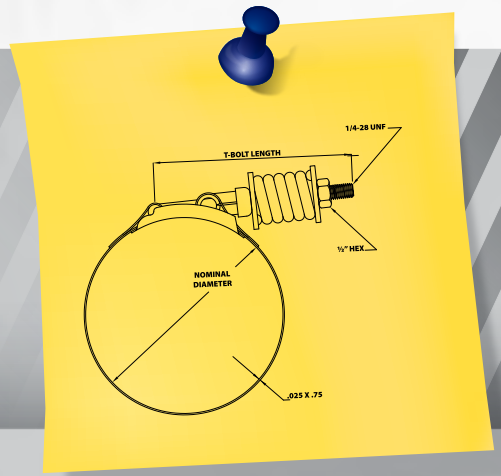
HEAVY DUTY SPRING-LOADED T-BOLT BAND CLAMPS

Recommended Torque 50 in - Lbs.
Spring rate of 1357 Lbs./ in Capable of Generating a load of 377 lbs.

- ◆ 218 Series Features
- ◆ Constant seal Hot and Cold
- ◆ 300 Series High Quality Stainless Steel Bands and Trunnions
- ◆ Floating Bridges
- ◆ Superior Two Piece Trunnions
- ◆ Zinc Plated T-Bolt and Nut
- ◆ One Piece Springs
- ◆ .025 thick X .75" Band
- ◆ Full Round Edges
- ◆ .25"-28 T Bolt with spring

TYPICAL APPLICATION

- ◆ Silicone Hoses
- ◆ Turbo Intercooler Hoses
- ◆ Turbo Charger Hoses



Heavy Duty Spring-Loaded T-Bolt BAND CLAMPS

Part Number	Nominal Dia.	Minimum Dia.	Maximum Dia.	Nominal Dia.	Minimum Dia.	Maximum Dia.
218-428-1	4.28"	4.06"	4.36"	108	103	110
218-450-1	4.50"	4.28"	4.58"	114	108	116
218-475-1	4.75"	4.53"	4.83"	120	115	122
218-500-1	5.00"	4.78"	5.08"	127	121	129
218-525-1	5.25"	5.03"	5.33"	133	127	135
218-550-1	5.50"	5.28"	5.58"	139	134	141
218-562-1	5.62"	5.40"	5.70"	142	137	144
218-600-1	6.00"	5.78"	6.13"	152	146	155
218-625-1	6.25"	6.03"	6.33"	158	153	160
218-647-1	6.47"	6.25"	6.55"	164	158	166
218-650-1	6.50"	6.28"	6.63"	165	159	168
218-700-1	7.00"	6.78"	7.08"	177	172	179
218-750-1	7.50"	7.28"	7.58"	190	184	192
218-775-1	7.75"	7.53"	7.83"	198	192	200
218-850-1	8.50"	8.28"	8.58"	215	210	217

HEAVY DUTY SPRING-LOADED T-BOLT BAND CLAMPS

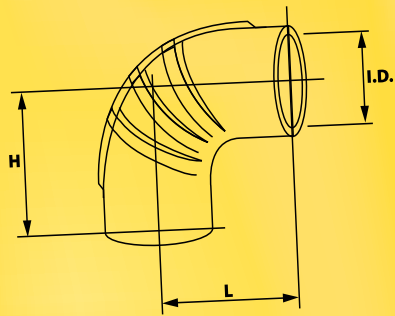
Recommended Torque 50 in - Lbs.

Spring rate of 1357 Lbs./ in Capable of Generating a load of 377 lbs.

- ◆ 218 Series Features
- ◆ Constant seal Hot and Cold
- ◆ 300 Series High Quality Stainless Steel Bands and Trunnions
- ◆ Floating Bridges
- ◆ Superior Two Piece Trunnions
- ◆ Zinc Plated T-Bolt and Nut
- ◆ One Piece Springs
- ◆ .025 thick X .75" Band
- ◆ Full Round Edges
- ◆ .25"-28 T Bolt with spring

TYPICAL APPLICATION

- ◆ Silicone Hoses
- ◆ Turbo Intercooler Hoses
- ◆ Turbo Charger Hoses



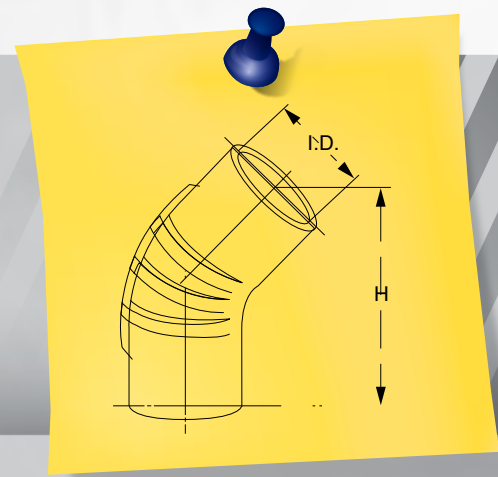
Rubber Air Inlet 90° Elbows

Part Number	ID SIZE	H	L
92-200	2"	5½"	5.75"
92-250	2½"	4¼"	4¼"
92-300	3"	5¼"	5¼"
92-350	3½"	5½"	5½"
92-400	4"	5¾"	5.75"
92-450	4½"	6"	6"
92-500	5"	6 1/8"	6 1/8"
92-550	5½"	6½"	6½"
92-600	6"	7"	7"
92-700	7"	7½"	7½"
92-800	8"	8½"	8½"
92-1000	10"	10½"	10½"
92SR-550	5½"	8"	5½"
92SR-600	6"	5"	5"

RUBBER AIR INLET 90° ELBOWS

- Specifically formulated (EPDM) ethylene propylene diene M-claser compound.
- Available in nitrile and chloroprene compounds.
- Vacuum collapse rating exceeds 4" Hg. Mercury.
- Recommended for temperatures: **-60°F to + 300°F continuous duty.**
- Complies with physical requirements of ASTM D2000 3BA715A14B13C12F17.

- 70 degree Shore A hardness
- 1500 psi tensile, minimum
- 200% elongation, minimum
- Air age 70 hrs. at 100°C
- Duro Change. + 10 maximum
- Tensile Change -25% maximum
- Elongation Change -25% maximum
- Comp Set 22 HRS. AT 70°C 25% maximum
- Ozone D1171 method B, no cracks
- Low temperatures D2137 non-brittle 3 minutes at -40°C



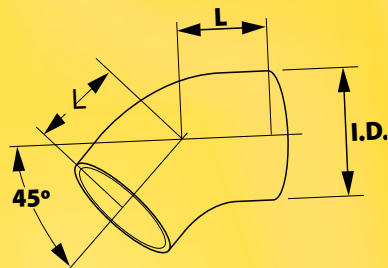
Special ELBOWS

Part Number	ID SIZE	DEGREE	L
98-400-22	4"	22°	4½"
98-450-68	4½"	66°	6¾"
98-550-22	5½"	22°	5¼"
98-550-54	5½"	54°	7¾"
98-550-68	5½"	68°	8¼"
98-600-22	6"	22°	5¼"
98-600-38	6"	38°	7¼"
98-600-54	6"	54°	7½"
98-600-68	6"	68°	8½"
98-700-22	7"	22°	6"
98-700-68	7"	68°	8½"
98-7060-68	7"-6"	68°	-
98-800-63	8"	63°	11"

SPECIAL ELBOWS

- Specifically formulated (EPDM) ethylene propylene diene M-class compound.
- Available in nitrile and chloroprene compounds.
- Vacuum collapse rating exceeds 4" Hg. Mercury.
- Recommended for temperatures: **-60°F to + 300°F continuous duty.**
- Complies with physical requirements of ASTM D2000 3BA715A14B13C12F17.

- 70 degree Shore A hardness
- 1500 psi tensile, minimum
- 200% elongation, minimum
- Air age 70 hrs. at 100°C
- Duro Change. + 10 maximum
- Tensile Change -25% maximum
- Elongation Change -25% maximum
- Comp Set 22 HRS. AT 70°C 25% maximum
- Ozone D1171 method B, no cracks
- Low temperatures D2137 non-brittle 3 minutes at -40°C



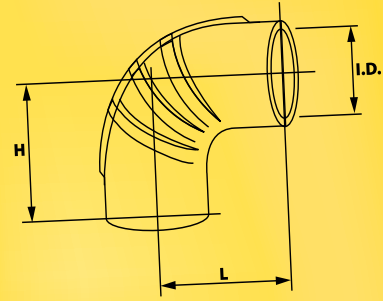
Rubber Air Inlet 45° Elbows

Part Number	ID SIZE	L
93-300	3"	3"
93-350	3½"	3 1/8"
93-400	4"	3 1/4"
93-450	4½"	3 3/8"
93-500	5"	3 1/2"
93-550	5½"	3 3/4"
93-600	6"	4"
93-700	7"	4 1/2"
93-800	8"	6"
93-1000	10"	7"

RUBBER AIR 45° ELBOWS

- Specifically formulated (EPDM) ethylene propylene diene M-class compound.
- Available in nitrile and chloroprene compounds.
- Vacuum collapse rating exceeds 4" Hg. Mercury.
- Recommended for temperatures: **-60°F to + 300°F continuous duty.**
- Complies with physical requirements of ASTM D2000 3BA715A14B13C12F17.

- 70 degree Shore A hardness
- 1500 psi tensile, minimum
- 200% elongation, minimum
- Air age 70 hrs. at 100°C
- Duro change. + 10 maximum
- Tensile Change -25% maximum
- Elongation Change -25% maximum
- Comp Set 22 HRS. AT 70°C 25% maximum
- Ozone D1171 method B, no cracks
- Low temperatures D2137 non-brittle 3 minutes at -40°C



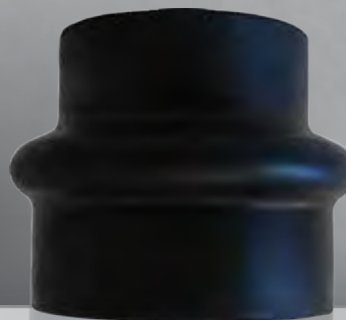
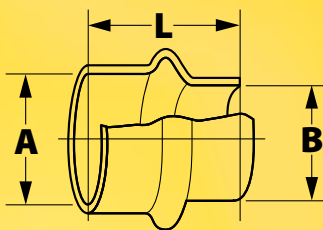
Reducing 90° Elbows

Part Number	ID SIZE	H	L
96-4030	4" - 3"	4"	4 ³ / ₄ "
96-4035	4" - 3 ¹ / ₂ "	3 ⁵ / ₈ "	4 ¹ / ₂ "
96-5040	5" - 4"	5 ³ / ₄ "	5 ³ / ₄ "
96-5535	5 ¹ / ₂ " - 3 ¹ / ₂ "	6"	4 ⁷ / ₈ "
96-5550	5 ¹ / ₂ " - 5"	5 ¹ / ₄ "	6 ¹ / ₂ "
96-6050	6" - 5"	7"	6"
96-6055	6" - 5 ¹ / ₂ "	6 ³ / ₄ "	6 ³ / ₄ "
96-7050	7" - 5"	6 ³ / ₄ "	6 ³ / ₄ "
96-7055	7" - 5 ¹ / ₂ "	5 ³ / ₄ "	6 ¹ / ₄ "
96-7060	7" - 6"	9"	7 ¹ / ₂ "
96-7060-45	7" - 6"	7 ³ / ₈ "	-
96SR-6050	6" - 5"	-	-
96SR-6055	6" - 5 ¹ / ₂ "	4 ¹³ / ₁₆ "	5"
96-8070	8" - 7"	8"	8"

Reducing 90° Elbows

- Specifically formulated (EPDM) ethylene propylene diene M-class compound.
- Available in nitrile and chloroprene compounds.
- Vacuum collapse rating exceeds 4" Hg. Mercury.
- Recommended for temperatures: **-60°F to + 300°F continuous duty.**
- Complies with physical requirements of ASTM D2000 3BA715A14B13C12F17.

- 70 degree Shore A hardness
- 1500 psi tensile, minimum
- 200% elongation, minimum
- Air age 70 hrs. at 100°C
- Duro Change. + 10 maximum
- Tensile Change -25% maximum
- Elongation Change -25% maximum
- Comp Set 22 HRS. AT 70°C 25% maximum
- Ozone D1171 method B, no cracks
- Low temperatures D2137 non-brittle 3 minutes at -40°C



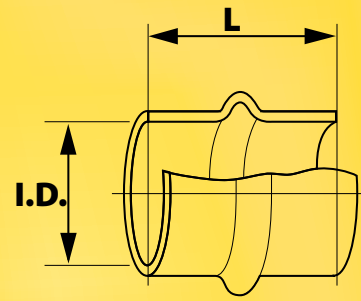
Hump Hose REDUCERS

Part Number	A	B	L
95-3530	3½"	3"	5¼"
95-4030	4"	3"	5¼"
95-4035	4"	3½"	5¼"
95-5040	5"	4"	5¼"
95-5540	5½"	4"	6"
95-5550	5½"	5"	6"
95-6050	6"	5"	6"
95-6055	6"	5½"	6"
95-6055SIL	6"	5½"	6"
95-7055	7"	5½"	7"
95-7060	7"	6"	5"
95-8055	8"	5½"	5"
95-8060	8"	6"	5"
95-8070	8"	7"	5"
95-10080	10"	8"	6"

HUMP REDUCERS

- Specifically formulated EPDM (ethylene propylene diene M-class rubber) compound.
- Available in nitrile and chloroprene compounds.
- Vacuum collapse rating exceeds 4" Hg. Mercury.
- Recommended for temperatures: **-60°F to +300°F continuous duty.**
- Complies with physical requirements of ASTM D2000 3BA715A14B13C12F17.

- 70 degree Shore A hardness
- 1500 psi tensile, minimum
- 200% elongation, minimum
- Air age 70 hrs. at 100°C
- Duro Change. + 10 maximum
- Tensile Change -25% maximum
- Elongation Change -25% maximum
- Comp Set 22 HRS. AT 70°C 25% maximum
- Ozone D1171 method B, no cracks
- Low temperatures D2137 non-brittle 3 minutes at -40°C



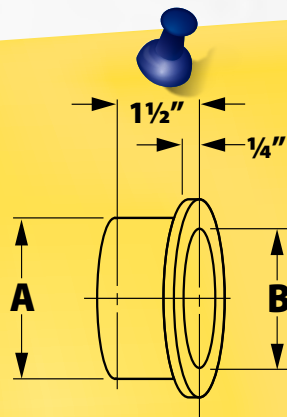
Rubber Air Inlet **HUMP HOSE**

Part Number	ID SIZE	L
94-300	3"	5½"
94-300SIL	3"	Silicone
94-350	3½"	5¼"
94-400	4"	5¼"
94-450	4½"	5¼"
94-500	5"	6"
94-550	5½"	6"
94-600	6"	7"
94-700	7"	7"
94-800	8"	5"
94-1000	10"	6"

RUBBER AIR INLET HUMP HOSE

- Specifically formulated (EPDM) ethylene propylene diene M-class compound.
- Available in nitrile and chloroprene compounds.
- Vacuum collapse rating exceeds 4" Hg. Mercury.
- Recommended for temperatures: **-60°F to + 300°F continuous duty.**
- Complies with physical requirements of ASTM D2000 3BA715A14B13C12F17.

- 70 degree Shore A hardness
- 1500 psi tensile, minimum
- 200% elongation, minimum
- Air age 70 hrs. at 100°C
- Duro Change. + 10 maximum
- Tensile Change -25% maximum
- Elongation Change -25% maximum
- Comp Set 22 HRS. AT 70°C 25% maximum
- Ozone D1171 method B, no cracks
- Low temperatures D2137 non-brittle 3 minutes at -40°C



Reducer Insert SLEEVE

Part Number

B

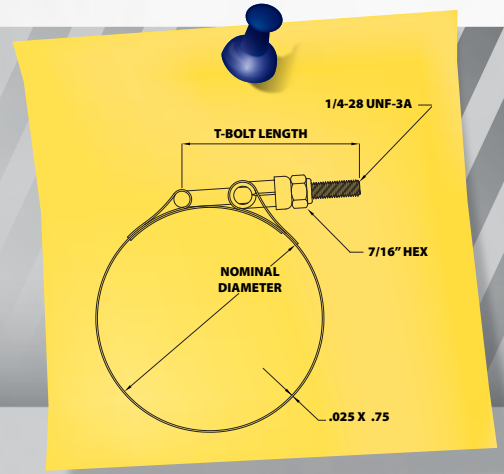
A

97-4030	3"	4"
97-4035	3½"	4"
97-4540	4"	4½"
97-5040	4"	5"
97-5045	4½"	5"
97-5540	4"	5½"
97-5550	5"	5½"
97-6055	5½"	6"
97-6050	5"	6"
97-7060	6"	7"
97-8070	7"	8"

REDUCER INSERT SLEEVE

- Specifically formulated (EPDM) ethylene propylene diene M-class compound.
- Available in nitrile and chloroprene compounds.
- Vacuum collapse rating exceeds 4" Hg. Mercury.
- Recommended for temperatures: **-60°F to +300°F continuous duty.**
- Complies with physical requirements of ASTM D2000 3BA715A14B13C12F17.

- | | |
|------------------------------|---|
| • 70 degree Shore A hardness | • Tensile Change -25% maximum |
| • 1500 psi tensile, minimum | • Elongation Change -25% maximum |
| • 200% elongation, minimum | • Comp Set 22 HRS. AT 70°C 25% maximum |
| • Air age 70 hrs. at 100°C | • Ozone D1171 method B, no cracks |
| • Duro Change. + 10 maximum | • Low temperatures D2137 non-brittle 3 minutes at -40°C |



Air Inlet Clamps **STAINLESS STEEL**

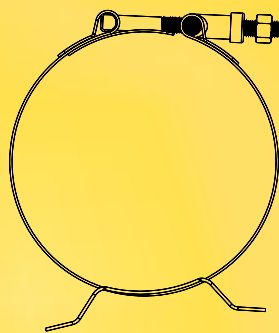
Part Number	HOSE ID SIZE	CLAMP I.D.
91-150	1½"	2"
91-200	2"	2½"
91-225	2¼"	2¾"
91-250	2½"	3"
91-275	2¾"	3¼"
91-300	3"	3½"
91-312	31/8"	35/8"
91-350	3½"	4"
91-400	4"	4½"
91-450	4½"	5"
91-500	5"	5½"
91-550	5½"	6"
91-600	6"	6½"
91-700	7"	7½"
91-800	8"	8½"
91-1000	10"	10½"

AIR INLET CLAMPS STAINLESS STEEL

When Performance is Critical specify T-Bolt Clamps!

T-Bolt Clamps feature all 300 series stainless steel bands and trunnions.

- Zinc Plated (T-Bolts and Locknuts)
- Stainless Steel (T-Bolts and Locknuts)



Support Clamps **STAINLESS STEEL**

Part Number

SIZE

I.D.

91SC-350

3½"

4"

91SC-400

4"

4½"

91SC-450

4½"

5"

91SC-500

5"

5½"

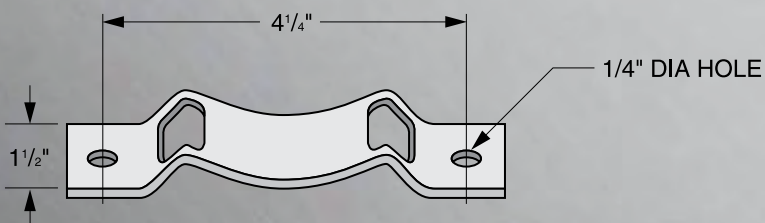
91SC-550

5½"

6"

CRADLE BRACKET – STAINLESS STEEL

MATERIAL: STAINLESS STEEL



PART NO.

91BRK-000S

Used with 91 Series
Band Clamp
Size: 350 Thru 550

SUPPORT CLAMPS STAINLESS STEEL

These Clamps Are Used To Mount Cylindrical Objects To A Base.

T-Bolt Clamps feature all 300 series stainless steel bands and trunnions.

- Zinc Plated (T-Bolts and Locknuts)

Dynaflex Products is proud to introduce our new and improved Heavy Duty Industrial Hose Products to help expand our customers portfolio.

“Our mission is to build on our history of product excellence and technology innovation to provide the highest-quality and most reliable products and services to our world-wide customers and industry.”

Dynaflex warrants its Aftermarket OEM Replacement products against defects in workmanship and materials for one (1) year from date of original user purchase. Misuse, failure to protect the product from soot or chemical damage, damage from road hazards, and alterations such as welding, drilling or cutting void the warranty. Labor is not warranted.

Parts damaged by a freight company do not constitute a warranty claim. If you receive a dented or damaged part you should sign for package as damaged. Your claim should be directed to the responsible freight company.

PRINTED IN U.S.A. COPYRIGHT 2008 ©

CONTACT US FOR ANY OF OUR OTHER CATALOGS



HEAVY DUTY OEM REPLACEMENT PART
EXHAUST CATALOG
PTN: **OEM 08V2**



HEAVY DUTY UNIVERSAL EXHAUST
COMPONENTS CATALOG
PTN: **UNI08V1**



HEAVY DUTY INDUSTRIAL
HOSE PRODUCTS CATALOG
PTN: **INDH08V1**

visit us online at
www.dynaflexproducts.com

P/N	DP OLD	DYNACRAFT	FRGHTLINER	FLEX FAB	PUROSIL
200-04-3040					90-050-MK 4 PLY
200-05-3040					90-062-MK 4 PLY
200-06-3040				7884-0001 3PLY	90-075-MK 4 PLY
200-07-3040					90-087-MK 4 PLY
200-08-3040				7884-0002 3 PLY	90-100-MK 4 PLY
200-11-3040				7884-0003 3 PLY	90-125-MK 4 PLY
200-14-3040				7884-0004 3 PLY	90-150-MK 4 PLY
200-16-3040				7884-0005 3 PLY	90-175-MK 4 PLY
200-17-3040					
200-18-3040				7884-0006 3 PLY	90-200-MK 4 PLY
200-20-3040				7884-0007 3 PLY	90-225-MK 4 PLY
200-23-3040				7884-0008 3 PLY	90-250-MK 4 PLY
200-25-3040				7884-0009 3 PLY	90-275-MK 4 PLY
200-27-3040				7884-0010 3 PLY	90-300-MK 4 PLY
200-32-3040				7884-0011 3 PLY	90-350-MK 4 PLY
200-36-3090				7884-0012 3 PLY	
200-36-3040					90-400-MK 4 PLY
201-04-3040					9046-050-MK 4 PLY
201-05-3040					9046-063-MK 4 PLY
201-06-3040					9046-075-MK 4 PLY
201-08-3040					9046-100-MK 4 PLY
201-11-3040					9046-125-MK 4 PLY
201-14-3040					9046-150-MK 4 PLY
201-16-3040					9046-175-MK 4 PLY
201-18-3040					9046-200-MK 4 PLY
201-20-3040					9046-225-MK 4 PLY
201-23-3040					9046-250-MK 4 PLY
201-25-3040					9046-275-MK 4 PLY
201-27-3040					9046-300-MK 4 PLY
201-32-3040					9046-350-MK 4 PLY
201-36-3040					9046-400-MK 4 PLY
202-23-2042					367-250-060
202-27-2042	99-8731	D1029-8728	01-21200-002-BLUE	7731-0001	
202-27-2042			367-300-060		367-300-060
202-27/32-2042			367-300/350-060		367-300/350-060
202-32-2042	99-8732	D1029-8739	367-350-060	7732-0001	367-350-060
202-32/36-2042					367-350/400-060
202-36-2042	99-8715	D1029-8748	01-21200-003-BLUE	7715-0002	
202-36-2042			367-400-060		367-400-060
202-36-2062					367-400-075
202-36-2072	99-8727		01-21200-001-BLUE	7727-0001	367-400-080
202-32-2073					
202-36-2041		D1029-8699			
202-36-2103					
202-36-2083					
202-38-2042			367-450-060		367-450-060
202-38-2072			367-450-080		367-450-080
203-23-2042					784-250-060
203-27-2042			784-300-060	7758-0001	784-300-060

P/N	DP OLD	DYNACRAFT	FRGHTLINER	FLEX FAB	PUROSIL
203-27/32-2042					784-300/350-060
203-32-2042			784-350-060	7753-0001	784-350-060
203-32/36-4042					784-350/400-060
203-36-2042			784-400-060	7755-0002	784-400-060
203-36-2062					
203-36-2072					
204-01-1110					7030-025
204-04-1110				5515-050	7030-050
204-06-1110				5515-075	7030-075
204-08-1110		D1030-2299		5515-100	7030-100
204-11-1110		D1030-2664		5515-125	7030-125
204-14-1110		D1030-2468		5515-150	7030-150
204-16-1110		D1030-2508		5515-175	7030-175
204-17-1110					7030-188
204-18-1110		D1030-2546		5515-200	7030-200
204-23-1110		D1030-2650		5515-250	7030-250
204-25-1110				5515-275	7030-275
204-26-1110					7030-287
204-27-1110		D1030-2728		5515-300	7030-300
204-32-1110				5515-350	7030-350
204-34-1110				5515-375	7030-375
204-35-1110					
204-36-1110				5515-400	7030-400
204-37-1110					
204-38-1110				5515-450	
204-40-1110				5515-500	7030-500
204-41-1110					
204-42-1110					
204-43-1110				5515-600	7030-600
204-44-1110					
204-46-1110					7030-700
204-47-1110					
204-48-1110					7030-800
204-49-1110					
205-01-2110					70-025
205-04-2110			70-050	5581-050	70-050
205-05-2110			70-062		70-062
205-06-2110			70-075	5581-075	70-075
205-07-2110			70-087		70-087
205-08-2110			70-100	5581-100	70-100
205-10-2110			70-112		70-112
205-13-2110			70-138		70-138
205-14-2110			70-150	5581-150	70-150
205-15-2110			70-162		70-162
205-16-2110			70-175	5581-175	70-175
205-17-2110			70-187		70-187
205-18-2110			70-200	5581-200	70-200
205-20-2110			70-225		70-225
205-23-2110			70-250	5581-250	70-250
205-24-2110			70-262		70-262
205-25-2110			70-275	5581-275	70-275
205-26-2110			70-287		70-287

P/N	DP OLD	DYNACRAFT	FRGHTLINER	FLEX FAB	PUROSIL
205-27-2110			70-300	5581-300	70-300
205-29-2110			70-325		70-325
205-31-2110			70-338		70-338
205-32-2110			70-350	5581-350	70-350
205-34-2110				5581-375	70-375
205-35-2110					
205-36-2110			70-400	5581-400	70-400
205-37-2110					
205-38-2110				5581-450	70-450
205-39-2110					
205-40-2110				5581-500	70-500
205-41-2110					
205-42-2110					70-550
205-43-2110				5581-600	70-600
205-44-2110					70-650
205-46-2110					70-700
205-47-2110					70-725
205-48-2110					70-750
205-49-2110					70-800
206-01-2110					364-025
206-04-2110					364-050
206-06-2110					364-075
206-08-2110					364-100
206-14-2110					364-150
206-16-2110					364-175
206-17-2110					364-188
206-18-2110					364-200
206-23-2110					364-250
206-25-2110					364-275
206-26-2110					364-287
206-27-2110				7760-300	62-300
206-32-2110				7760-350	364-350
206-34-2110				7760-375	364-375
206-36-2110				7760-400	364-400
206-38-2110				7760-450	364-450
206-40-2110					364-500
206-42-2110					
206-43-2110					364-600
206-46-2110					364-700
206-48-2110					
206-49-2110					364-800
207-01-1110					62-025
207-04-1110					62-050
207-06-1110					62-075
207-08-1110					62-100
207-14-1110					62-150
207-16-1110					62-175
207-17-1110					62-188
207-18-1110					62-200
207-23-1110					62-250
207-25-1110					62-275
207-26-1110					62-287

P/N	DP OLD	DYNACRAFT	FRGHTLINER	FLEX FAB	PUROSIL
207-27-2110	99-744GB216PL				
207-27-2110	99-1225				
207-27-2110	99-300-36"				62-300
207-31-2110	99-1229				
207-31-2110	99-202994				
207-31-2110	99-338-36				62-338
207-32-2110	99-516288A				
207-32-2110	99-350-36				62-350
207-34-1110					62-375
207-36-2110	99-744GB195A				
207-36-2110	99-8926957				
207-36-2110	99-400-36				62-400
207-38-2110					62-450
207-40-2110					62-500
207-43-2110					62-600
207-48-1110					62-700
207-21109					62-800
208-14-2020					3641-150-600 6"
208-16-2020					3641-175-600 6"
208-18-2020					3641-200-600 6"
208-20-2020					3641-225-600 6"
208-23-2020					3641-250-600 6"
208-25-2020					3641-275-600 6"
208-27-2020					3641-300-600 6"
208-29-2020					3641-225-600 6"
208-32-2020					3641-350-600 6"
208-36-2020					3641-400-600 6"
208-38-2020					3641-450-600 6"
208-40-2020					3641-500-600 6"
209-14-2020					76-150-600 6"
209-16-2020					76-175-600 6"
209-18-2020					76-200-600 6"
209-20-2020					76-225-600 6"
209-23-2020					76-250-600 6"
209-25-2020					76-275-600 6"
209-27-2020					76-300-600 6"
209-29-2020					76-325-600 6"
209-32-2020					76-350-600 6"
209-36-2020					76-400-600 6"
209-38-2020					76-450-600 6"
209-40-2020					76-500-600 6"
210-16/18-2020					77-175200-4
210-18/20-2020					77-200225-4
210-18/23-2020					77-200250-4
210-10/27-2020					77-200300-4
210-20/23-2020					77-225250-4
210-23/25-2020					77-250275-4
210-23/27-2020					77-250300-4
211-00-120					80-018
211-01-120		D1029-2979	80-025	5526-025	80-025

P/N	DP OLD	DYNACRAFT	FRGHTLINER	FLEX FAB	PUROSIL
211-02-120			80-031		80-031
211-03-120		D1029-2934	80-038	5526-038	80-038
211-04-120			80-050	5526-050	80-050
211-05-120		D1029-2965	80-062	5526-062	80-062
211-06-120		D1030-3883	80-075	5526-075	80-075
211-07-120			80-088		80-088
211-08-120			80-100	5526-100	80-100
211-10-120			80-112		80-112
211-11-120			80-125	5526-125	80-125
212-00-120					
212-01-120				5521-025 GREEN	
212-02-120					
212-03-120				5521-038 GREEN	
212-04-120				5521-050 GREEN	
212-05-120				5521-062 GREEN	
212-06-120				5521-075 GREEN	
212-07-120					
212-08-120				5521-100 GREEN	
212-10-120					
212-11-120				5521-125 GREEN	
213-00-120					50-018
213-01-120					50-025
213-02-120					50-031
213-03-120					50-038
214-08-3040					3646-100-MK 4 PLY
214-11-3040					3646-125-MK 4 PLY
214-13-3040					3646-138-MK 4 PLY
214-14-3040					3646-150-MK 4 PLY
214-16-3040					3646-175-MK 4 PLY
214-18-3040					3646-200-MK 4 PLY
214-20-3040					3646-225-MK 4 PLY
214-23-3040					3646-250-MK 4 PLY
214-25-3040					3646-275-MK 4 PLY
214-27-3040					3646-300-MK 4 PLY
214-32-3040					3646-350-MK 4 PLY
214-36-3040					3646-400-MK 4 PLY
215-07-3040					4648-087-MK 4 PLY
215-08-3040					3648-100-MK 4 PLY
215-11-3040					3648-125-MK 4 PLY
215-14-3040					3648-150-MK 4 PLY
215-16-3040					3648-175-MK 4 PLY
215-18-3040					3648-200-MK 4 PLY
215-20-3040					3648-225-MK 4 PLY
215-23-3040					3648-250-MK 4 PLY
215-25-3040					3648-275-MK 4 PLY
215-27-3040					3648-300-MK 4 PLY
215-32-3040					3648-350-MK 4 PLY
215-36-3040					3648-400-MK 4 PLY

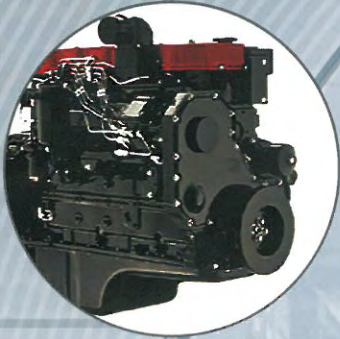
P/N	DP OLD	DYNACRAFT	FRGHTLINER	FLEX FAB	PUROSIL
217-125-1					
217-138-1					
217-162-1					
217-194-1					
217-225-1					
217-238-1					
217-244-1	91SLC-241	D2006-4207			
217-265-1	91SLC-266	D2006-4220			
217-275-1	91SLC-275				
217-278-1					
217-288-1	91SLC-291				
217-300-1		D2006-4233			
217-316-1	91SLC-316				
217-325-1		D2006-4246			
217-330-1					
217-337-1	91SLC-341				
217-344-1		D2006-4259			
217-375-1					
217-378-1		D2006-4272			
217-385-1	91SLC-391				
217-400-1					
217-411-1					
217-425-1					
217-428-1	91SLC-427	D2006-4285			
217-450-1					
217-475-1		D2006-4298			
217-500-1					
217-525-1					
217-550-1					
217-562-1					
217-600-1					
217-625-1					
217-647-1					
217-700-1					
217-750-1					
217-775-1					
217-788-1					
217-850-1					
218-428-1	DP-4778	D2006-4844			
219-9410-1		D2006-4519			
219-9412-1		D2006-4532			
219-9416-1		D2006-4545			
219-9420-1		D2006-4558			
219-9424-1		D2006-4571			
219-9428-1					
219-9432-1					
219-9436-1					
219-0200-1		D2006-4324			
219-0250-1		D2006-4337			
219-0300-1		D2006-4350			

P/N	DP OLD	DYNACRAFT	FRGHTLINER	FLEX FAB	PUROSIL
219-0350-1		D2006-4363			
219-0400-1		D2006-4376			
219-0450-1		D2006-4389			
219-0500-1		D2006-4402			
219-0550-1		D2006-4415			
219-0600-1		D2006-4428			
219-0700-1		D2006-4454			
219-0750-1		D2006-4467			
219-0800-1		D2006-4480			
219-0850-1		D2006-4493			

NOTES

NOTES

NOTES



Dynaflex Products
6466 Gayhart Street,
Commerce, CA 90040
Tel: 800.334.3363
Fax: 323.838.1332
www.dynaflexproducts.com

Factory Distribution Center
Southwest Regional Warehouse
15015 Beltwood Parkway Warehouse
Addison, TX 7500-3716
1800-334-3363 Option#9